

BUILDING BBQ COVER

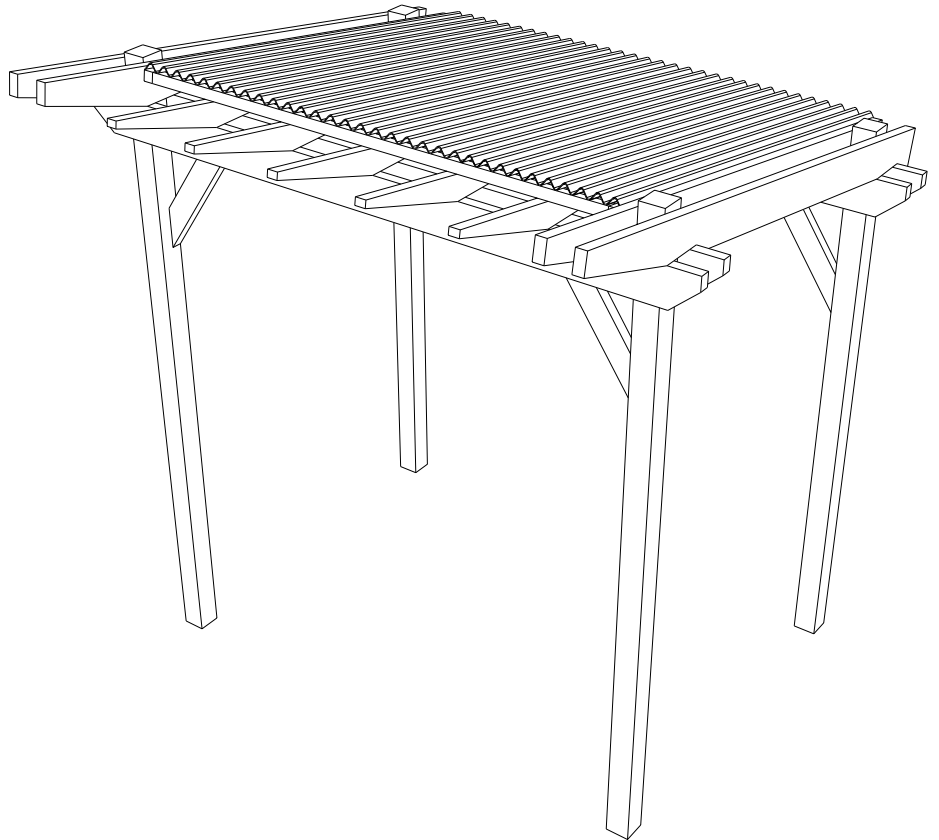
Who says BBQing is only for summer time? With this easy-to-build BBQ cover, you can grill in the great outdoors all year round. And because this DIY project calls for Real Cedar (a wood that's naturally resistant to rot, decay and insects), this sturdy and beautiful structure is going to last you a very long time. Just think of all the cookout possibilities - hope you're hungry!

DESIGN: REAL CEDAR ORIGINAL

CEDAR PRO TIP:

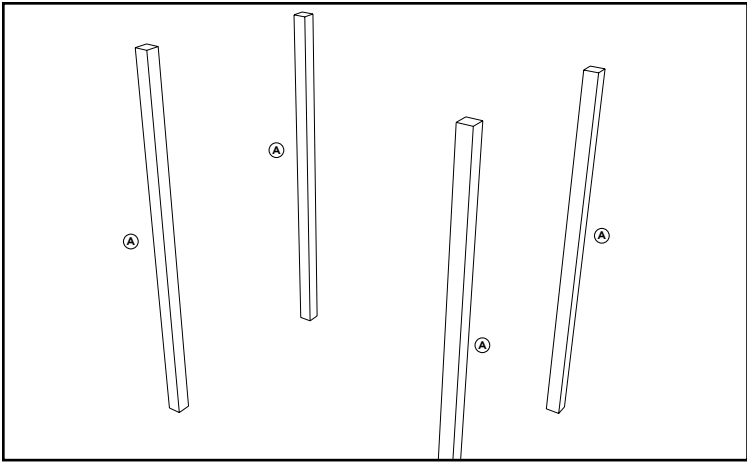
For all outdoor work, you should use rust-resistant hot-dipped galvanized or stainless steel nails. Other fasteners and hardware such as bolts, screws and hinges should also be made from similar corrosion resistant materials.

*NOTE: This design calls for smooth 4X4 posts. You can choose textured face posts instead, but keep in mind in some markets, sizes may vary.



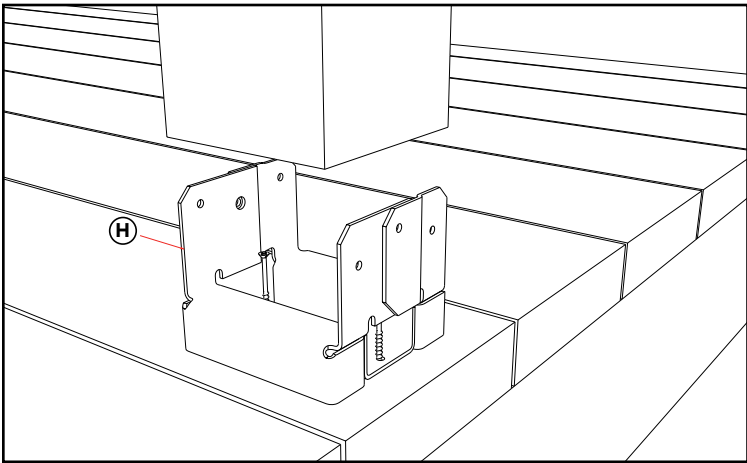
WHAT YOU'LL NEED

PART #	DESCRIPTION	FINISHED SIZE			SIZES	MATERIAL	QTY
		T	W	L			
A	POST FRONT	3 1/2"	3 1/2"	96"	4X4X8'	WR CEDAR	2
	POST BACK	3 1/2"	3 1/2"	86"	4X4X8'	WR CEDAR	2
B	GIRDERS	1 1/2"	5 1/2"	96"	2X6X8'	WR CEDAR	4
C	RAFTERS	1 1/2"	5 1/2"	86"	2X6X8'	WR CEDAR	4
D	CANTILEVER	1 1/2"	3 1/2"	86"	2X4X8'	WR CEDAR	5
E	ROOF FRAME	1 1/2"	1 1/2"	71"	2X2X6	WR CEDAR	8
F	CORRUGATED ROOF	TBC	36"	76"		CLEAR PLASTIC	2 SHEETS
G	BRACING	1 1/2"	5 1/2"	34"	2X4X3'		4
H	4X4 ADJUSTABLE POST BASE						4
I	BASE TRIM	3/4"	3 1/2"	5"	1x4x5"		16



STEP 1 - Mark Post Locations

Measure out an 80 1/2" by 56 1/2" rectangle in your desired location. Mark where each of the four (A) 4x4 posts will stand, keeping in mind these dimensions are center to center. Then cut the back posts shorter than the front posts, making a 10-degree pitch for the roof.

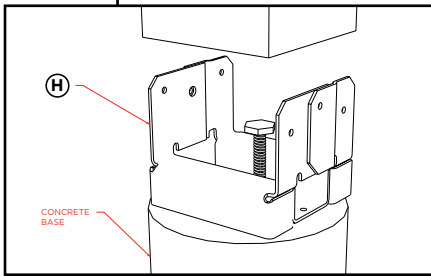
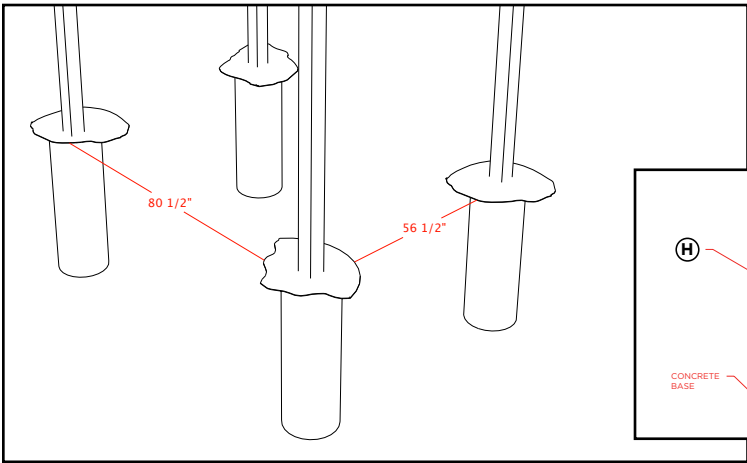


STEP 2 - Secure Posts

How you secure your posts depends on your location surface. If it's an existing wood deck, simply use (H) 4x4 adjustable post bases.

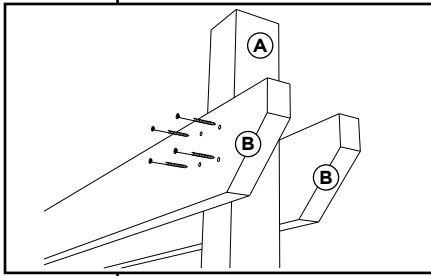
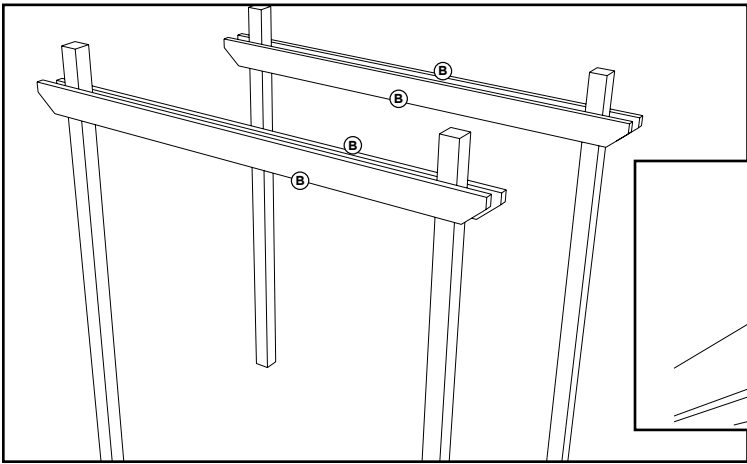
If you want your Real Cedar BBQ cover in the yard, then you'll need to dig 8" cement holes. Start with a spade to outline the postholes and cut into the sod. Then switch to a long-handled shovel to dig and move the dirt. But use a digging bar if you need to cut roots, shave the edges of the hole straight and/or break up tough soil. Then fill the first four inches of each hole with gravel.

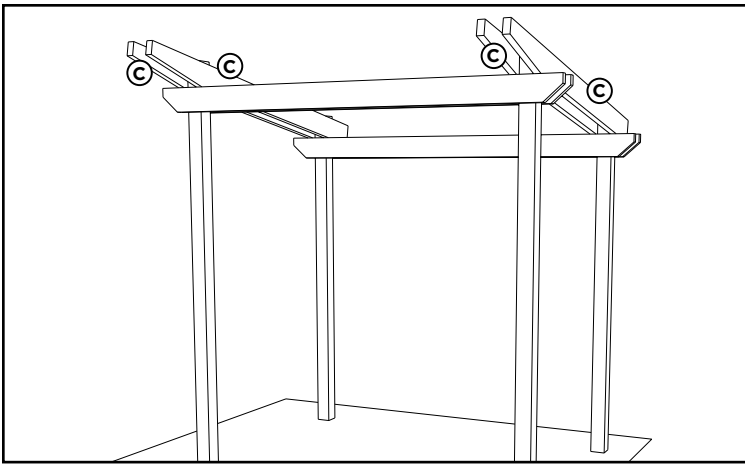
Mix fast setting concrete in a wheelbarrow to a chunky peanut butter consistency. Pour that on top of the gravel until all four holes are filled, and then insert a J-bolt into the center of each mixture. Let cure for 48 hours. Once the concrete is dry, set each (A) post base over the threads of the J-bolt and tighten a nut to it.



STEP 3 - Attach Girders

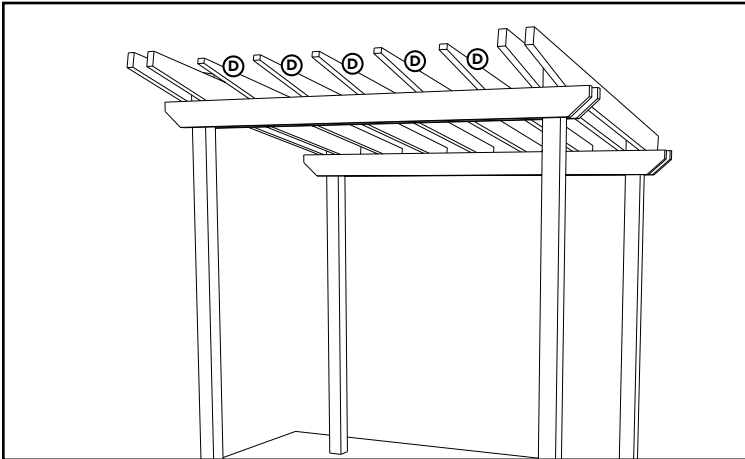
Connect the two front-facing posts together by sandwiching each one between two (B) 2x6 girders.





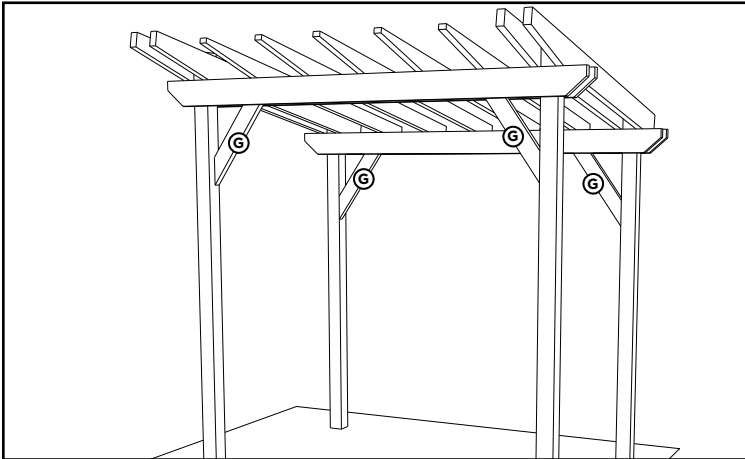
STEP 4 - Install Rafters

Complete the rectangle by connecting the front and back structures with two (C) 2x6 rafters on each side (atop of the girders).



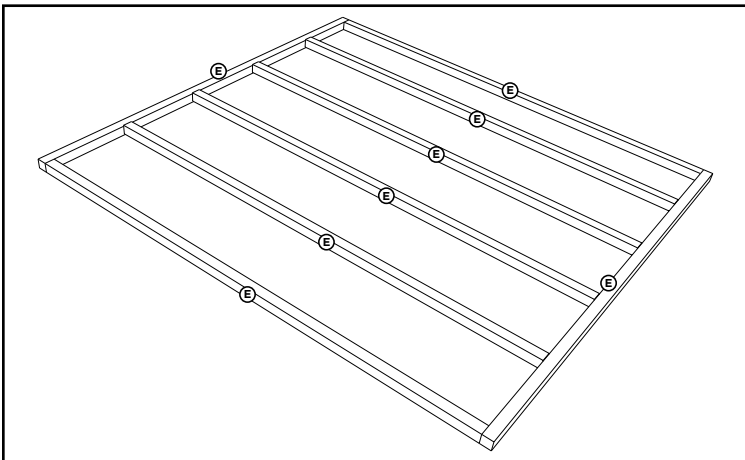
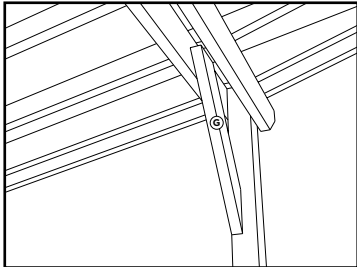
STEP 5 - Add Cantilevers

Install five evenly spaced (D) 2x4s parallel to the rafters.



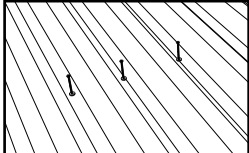
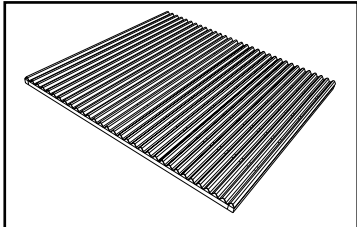
STEP 6 - Secure Structure

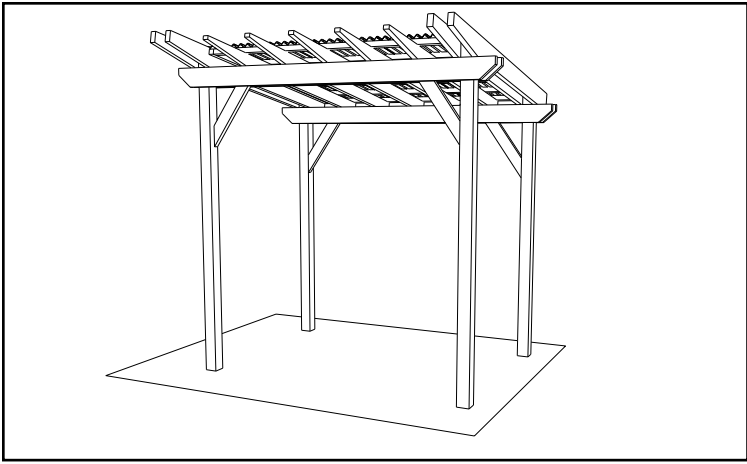
Connect (G) angle bracing directly to the inside rafter to level the posts straight and securing the structure.



STEP 7 - Build Roofing frame

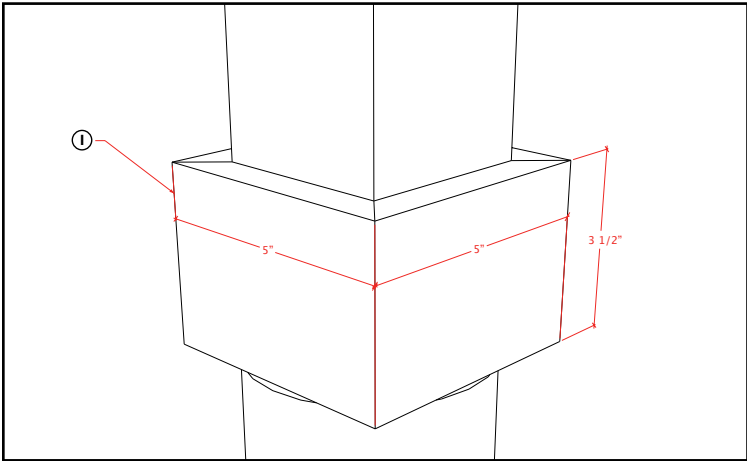
Build roof frame on the ground by connecting four (E) 2x2-roofing frames together to form a square and then install the remaining four (E) 2x2s inside the frame. Then using 50 galvanized roofing screws and rubber gaskets, attach both (F) clear plastic corrugated roof sheets to the roofing frame.





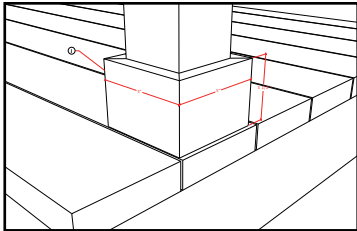
STEP 8 - Top with Roofing

Attach assembled structure to the cantilevers.



STEP 9 - Trim the Bottom

Install 4 (1) 1x4 boards around each post base.



NOTE:

Before you start digging, check with your local building department to make sure there are no underground utilities or cables.

BEST PRACTICE:

If you plan on installing an outdoor structure close to your property line, Real Cedar recommends getting written consent from your neighbors.

Instructions are subject to local building codes, so it's always best to call your local building department before you begin construction. Also, Real Cedar is not responsible for any personal injury or property damage sustained in connection to these guidelines.