

# REAL CEDAR PLANTER WITH TRELLIS

DESIGN: REAL CEDAR ORIGINAL

Limited space? No problem. This classic planter box with attached trellis is ideal for urban gardeners with condo-sized balconies. It's also perfect for defining spaces in bigger backyards. Though compact, the box is deep enough to plant your favorite climbing vegetables and flowers. No matter how you use this vertical garden, it's going to enhance the beauty of your outdoor living space. It's also going to last you a long time. That's because the project plan calls for Western Red Cedar, which is naturally resistant to rot, decay and insects. So you don't need to finish it with a chemical finish, an added bonus if your goal is to grow herbs or vegetables.

In terms of WRC grades, choose Architect Knotty for a more rustic look and Architect Clear for a polished contemporary look. And when it comes to specifying sizes, we recommend asking your local Real Cedar retailer if they have any short lengths in stock. Using short lengths means less cutting, less waste and more savings for you.

For more fast facts on building with Real Cedar, download our free DIY app - available on the Apple App Store for iOS and at Google Play for Android.

## WHAT YOU'LL NEED

		FINISHED SIZE					
Part #	Description	T	W	L	Sizes	Material	Qty.
<b>A</b>	<b>Legs</b>	<b>1 1/2"</b>	<b>13"</b>	<b>15"</b>		<b>Knotty WRC</b>	<b>2</b>
A1	Legs post	1 1/2"	1 1/2"	15"	2x2x2'	Knotty WRC	4
A2	Legs support	1 1/2"	1 1/2"	10"	2x2x1'	Knotty WRC	4
<b>B</b>	<b>Planter box</b>	<b>13"</b>	<b>11"</b>	<b>33"</b>		<b>Knotty WRC</b>	<b>1</b>
B1	Box front & back	3/4"	5 1/2"	33"	1x6x3'	Knotty WRC	4
B2	Box sides	3/4"	5 1/2"	11 1/2"	1x6x1'	Knotty WRC	4
B3	Box bottom support	1 1/2"	1 1/2"	28"	2x2x3'	Knotty WRC	2
B4	Box bottom support	1 1/2"	1 1/2"	11 1/2"	2x2x1'	Knotty WRC	2
B5	Box bottom	3/4"	5 1/2"	31 1/2"	1x6x3'	Knotty WRC	2
B6	Box support	3/4"	1 1/2"	8 3/4"	1x2x1'	Knotty WRC	2
B7	Box cap	3/4"	1 1/2"	36"	1x2x3'	Knotty WRC	2
B8	Box cap	3/4"	1 1/2"	10"	1x2x1'	Knotty WRC	4
C	Post	1 1/2"	1 1/2"	72"	2x2x7'	Knotty WRC	2
D	Trellis		36"	72"	3x6'	Premade WRC lattice*	1
<b>Hardware</b>							
E	Screws			1 3/4"		Stainless steel screws	40
F	Screws			2 1/2"		Stainless steel screws	70
G	Screws			1"		Stainless steel screws	10
H	Staples			3/8"		Galvanized staples	
I	Lining			5'x3'		Planting fabric lining	1

\* Heavier gauge lattice made with thicker stock will perform better than lighter gauge lattice made with thinner stock.

## FASTENER PRO TIPS

1. Where gluing is required, only apply a polyurethane construction adhesive specially formulated for outdoor applications. Using a scrap of wood, spread a thin even layer of glue like butter on toast. Avoid applying excessive amounts and keep glue at least 1/2" away from exterior edges of joint to avoid unappealing bleed out. Press pieces in place briefly, then pull them apart for a second before pressing firmly back in place (this helps activate the glue so it will set faster). Always use clamps to keep pieces in position while driving in screws because until the glue dries, pieces are at risk of slipping.
2. For all outdoor work, you should use corrosion--resistant, hot-dipped galvanized or stainless steel fasteners. In fact, all hardware including bolts, hinges, nails etc. should be made from similar corrosion-resistant materials.

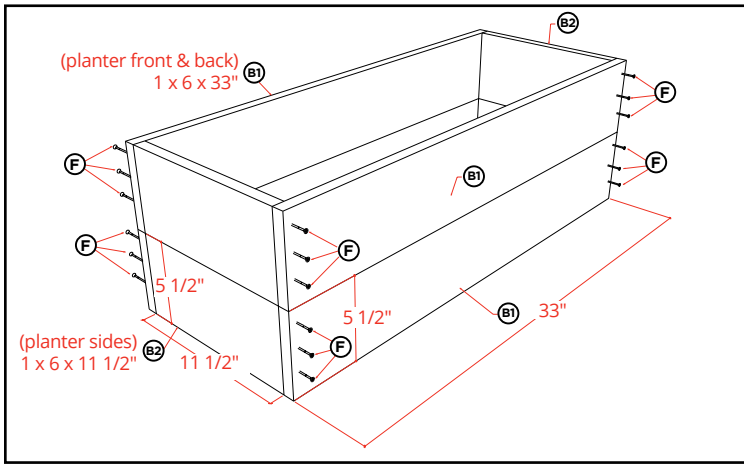
Note: Staples are not an acceptable substitute for bolts, screws, nails or other fasteners.

## PRE-DRILLING PRO TIPS

When using fasteners very close to the end of thinner boards such as 1x6s, it's important to drill a pilot hole (same size as shaft of screw, but smaller than diameter of the threads. Example: with #8 screws, use a 1/8th" drill bit). Otherwise the wood may split.

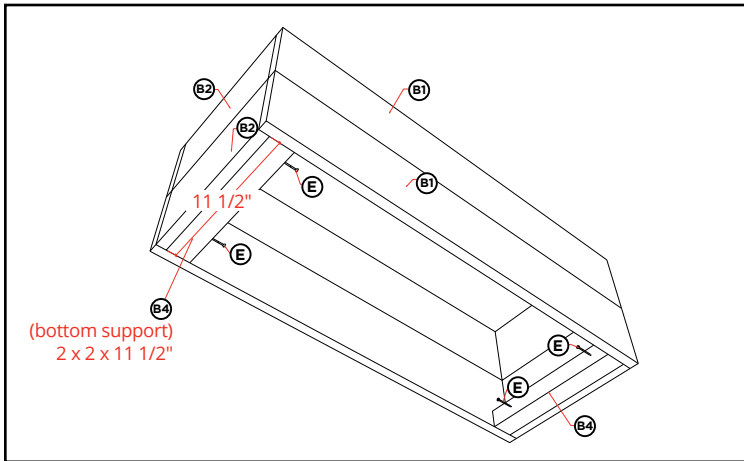
Note: When driving screws that sit more than approximately 3" away from the end of a board, pre-drilling is not necessary.

**NOTE:** Real Cedar is not responsible for any personal injury or property damage sustained in connection to these guidelines.



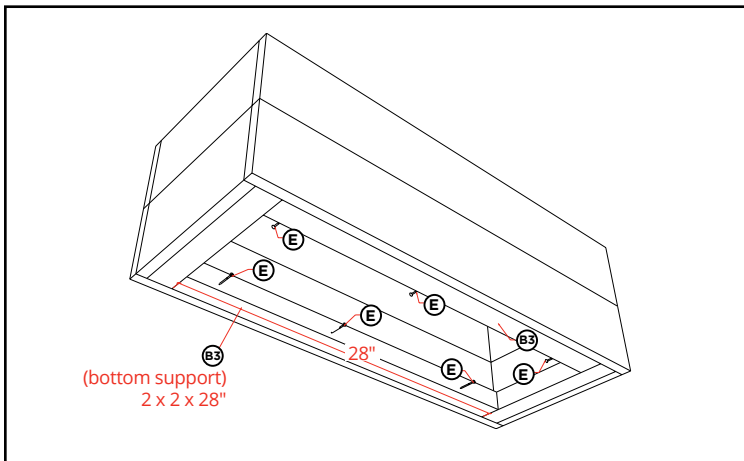
## STEP 1 - Build Planter Frames

Build two frames one at a time by fastening two (B2) sides to one (B1) front and one (B1) back with glue & (F) screws. Then stack both frames on top of each other and fasten with glue.



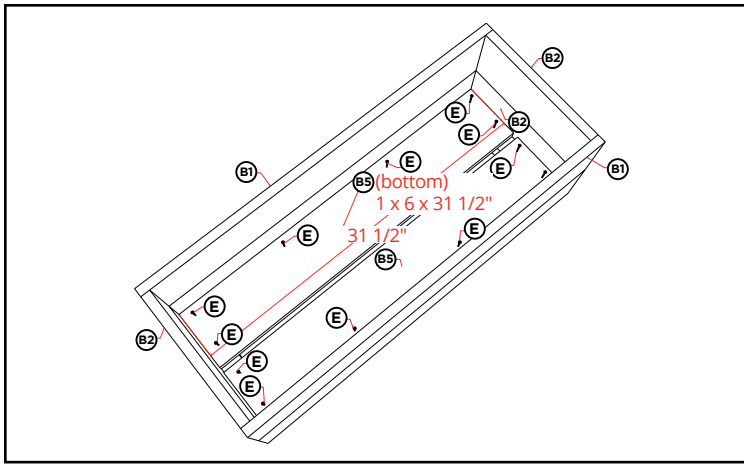
## STEP 2 - Add Bottom Supports

Attach (B4) bottom supports to inside of (B2) sides with glue & (E) screws.



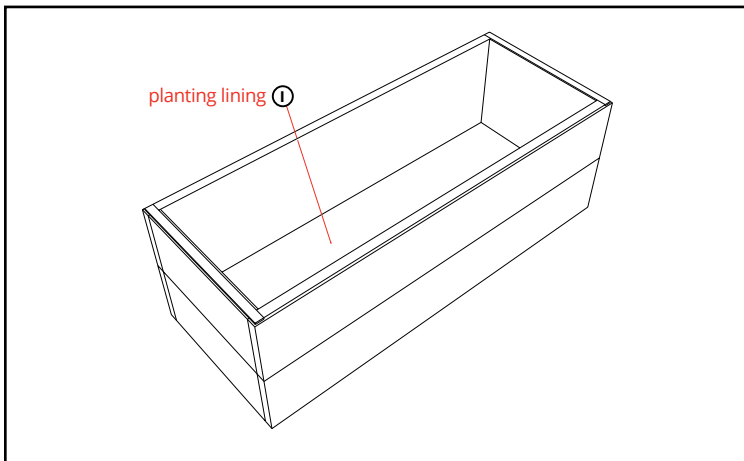
## STEP 2B - Add Bottom Supports

Then, using glue & (E) screws, fasten one (B3) bottom support to a (B1) front and one (B3) bottom support to a (B1) back.



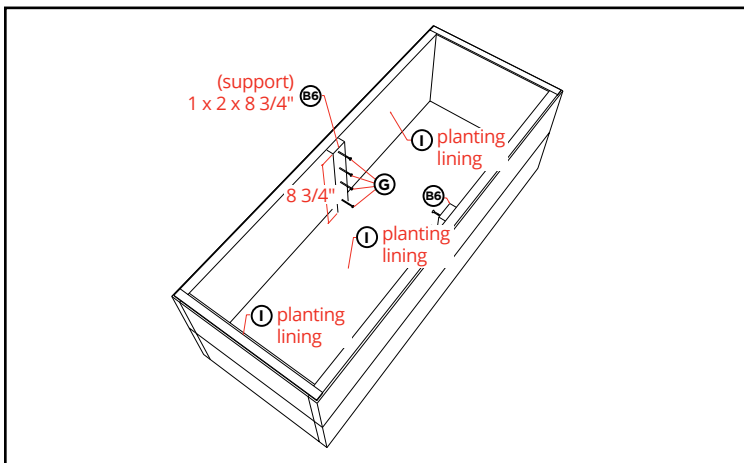
### STEP 3 - Install Bottom

Attach (B5) bottoms to (B4) & (B3) supports with (E) screws.



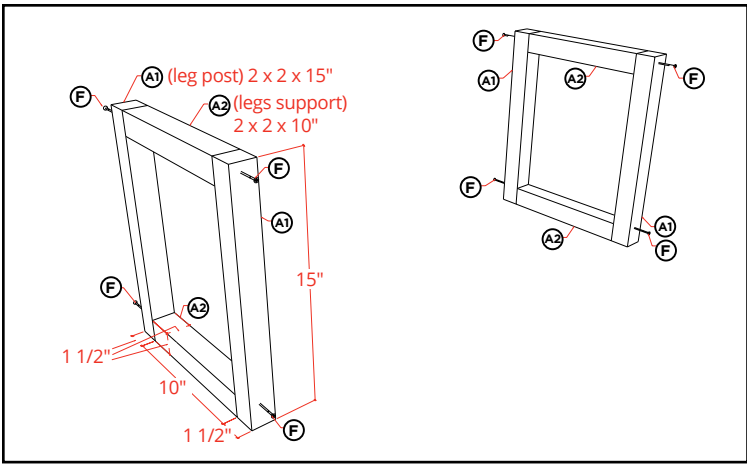
### STEP 4 - Landscape Lining

Fold the upper edge of the lining over on itself to make it straight and stronger. Then line it up to inside lip of the box and staple every few inches. Fold corners behind themselves and staple where the fabric is folded over. Allow ample fabric to sit loosely in the box, better to have excess fabric in the box rather than too little which could then stretch and tear under weight of dirt.



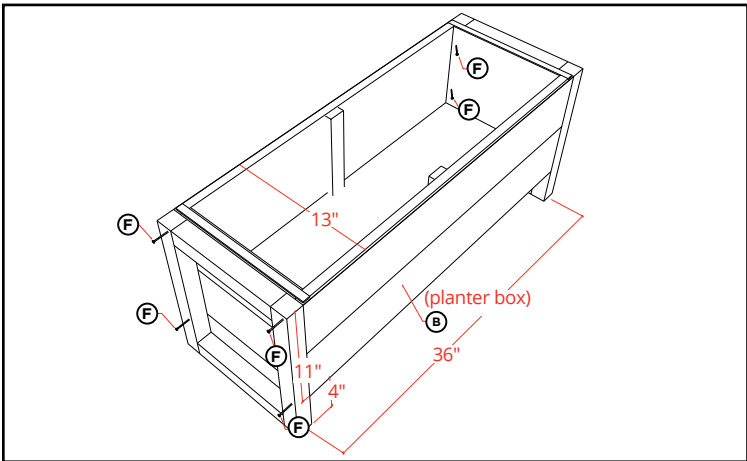
### STEP 5 - Reinforce With Supports

Reinforce connection between the stacked frames by attaching two (B6) supports to inside of box (on top of lining) with (G) screws.



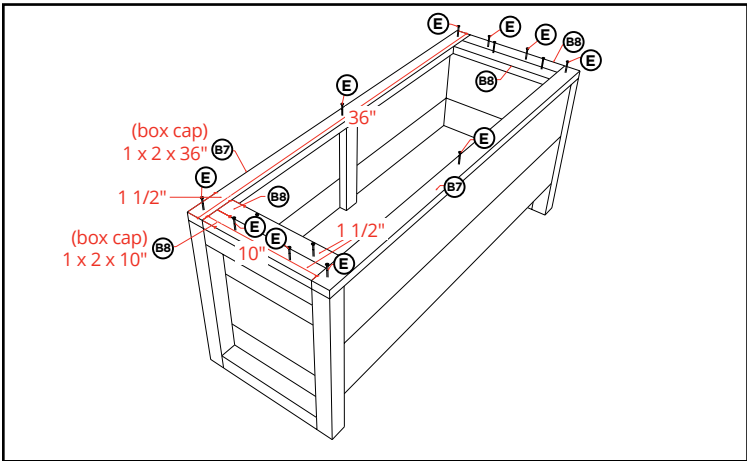
### STEP 6 - Assemble Legs

Build one leg at a time by connecting two (A1) leg posts to (A2) leg supports, using glue & (F) screws.



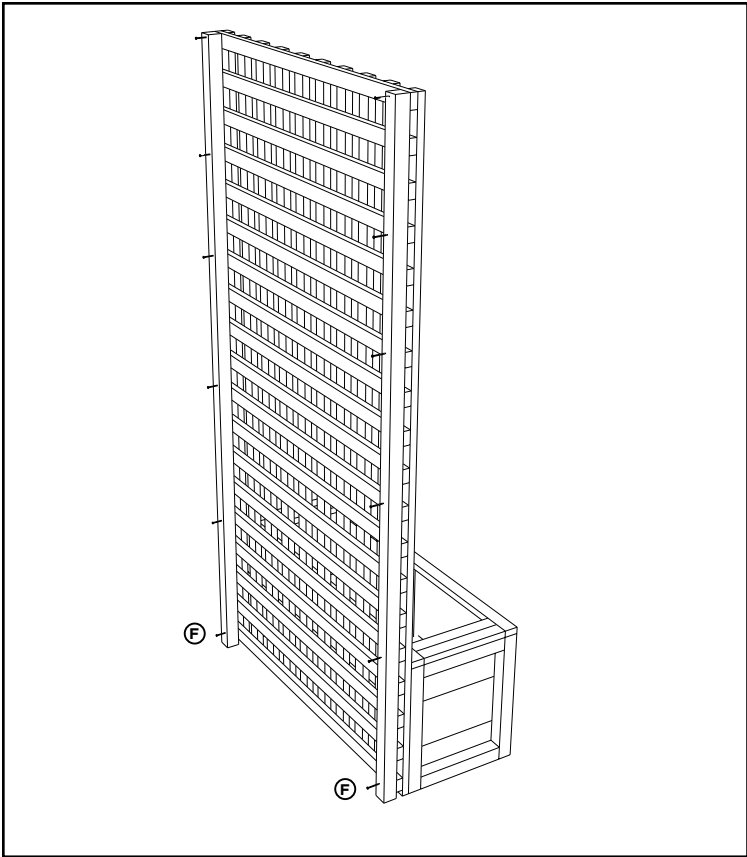
### STEP 7 - Attach Legs

Using glue & (F) screws, fasten a leg to each side of planter so that (A2) supports are flush with tops of box frame.



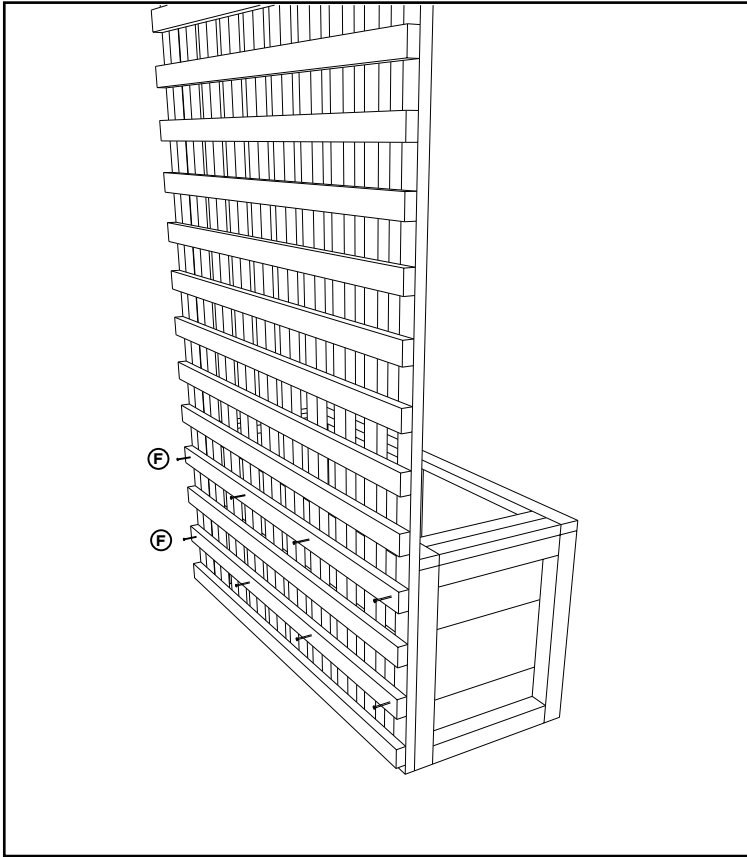
### STEP 8 - Add Caps

Using (E) screws, fasten (B7) & (B8) caps to top of box.



**STEP 9 - Install Trellis**

Using glue & (F) screws, attach one (C) post to the back of either side of (D) trellis.



**STEP 10 - Install Trellis**

Using (F) screws, attach (D) trellis to back of box (with trellis facing forward and posts in the back).

