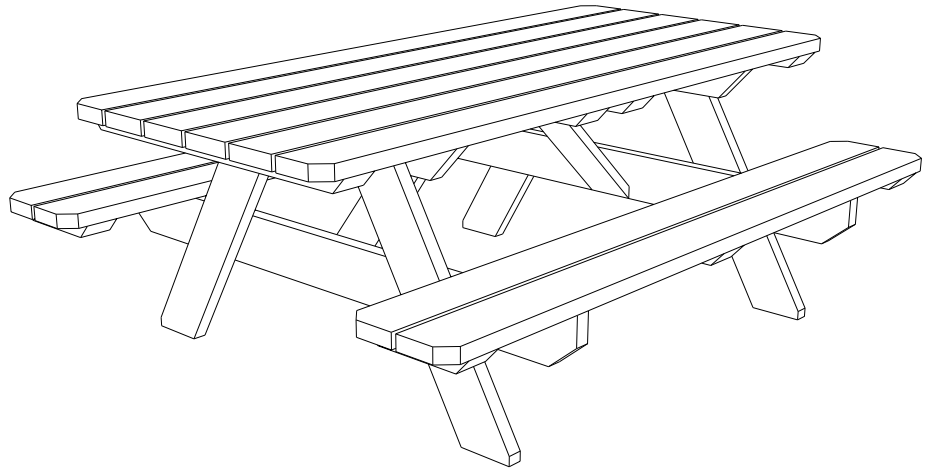


## TRADITIONAL PICNIC TABLE

This classic picnic table is the perfect setup for casual outdoor dining. Plus, it's easy to build and built to last. Real Cedar is inherently resistant to rot, decay and insects, which means you can let it weather naturally without any chemical finishes. But if you would like to stain or paint this table, Real Cedar recommends cutting the wood first and then coating all six sides of each piece before you begin building. Either way, you're going to have yourself a fun and functional outdoor table, and let's face it – nothing says summertime quite like backyard cookouts!



**DESIGN:** REAL CEDAR ORIGINAL

### **CEDAR PRO TIP:**

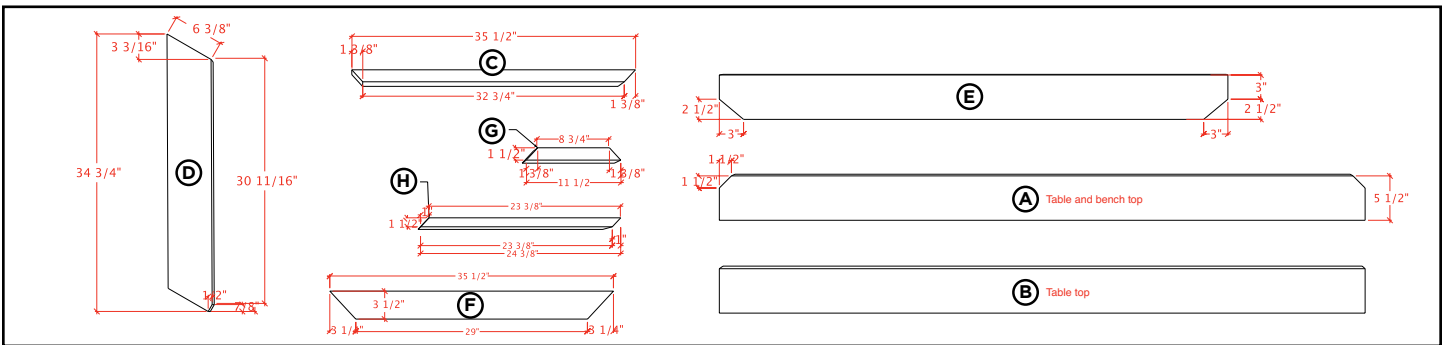
For all outdoor work, you should use rust-resistant hot-dipped galvanized or stainless steel nails. Other fasteners and hardware such as bolts, screws and hinges should also be made from similar corrosion resistant materials.

## WHAT YOU'LL NEED

PART #	DESCRIPTION	FINISHED SIZE			SIZES	MATERIAL	QTY
		T	W	L			
A	TABLE/BENCH TOP	1 1/2"	5 1/2"	80"	2X6X8	WR CEDAR	6
B	TABLE TOP	1 1/2"	5 1/2"	80"	2X6X8	WR CEDAR	4
C	TABLE CLEAT	1 1/2"	3 1/2"	35 1/2"	2X4X3	WR CEDAR	4
D	LEGS	1 1/2"	5 1/2"	34 3/4"	2X6X3	WR CEDAR	4
E	BENCH SUPPORT	1 1/2"	5 1/2"	63"	2X6X6	WR CEDAR	2
F	TABLE SUPPORT	1 1/2"	3 1/2"	35 1/2"	3 1/2"	WR CEDAR	2
G	BENCH CLEAT	1 1/2"	3 1/2"	11 1/2"	2X4X1	WR CEDAR	6
H	BRACE	1 1/2"	5 1/2"	24 3/8"	2X6X3	WR CEDAR	2

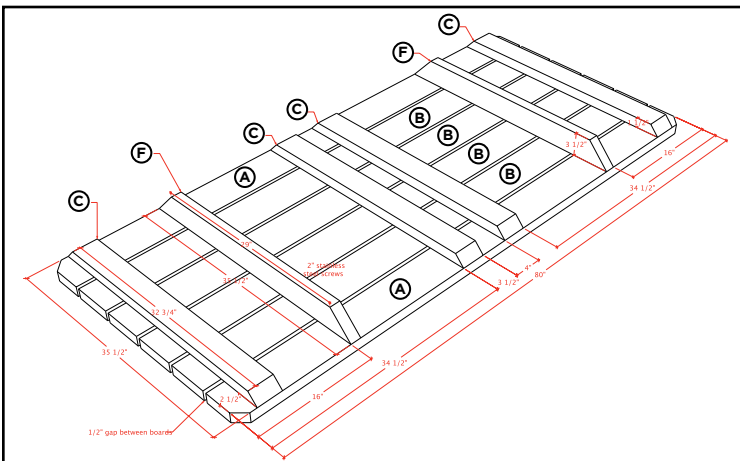
## STEP 1 - Customize Wood

Cut all tabletop boards, legs, supports, bracing and cleats to the specified lengths and angles



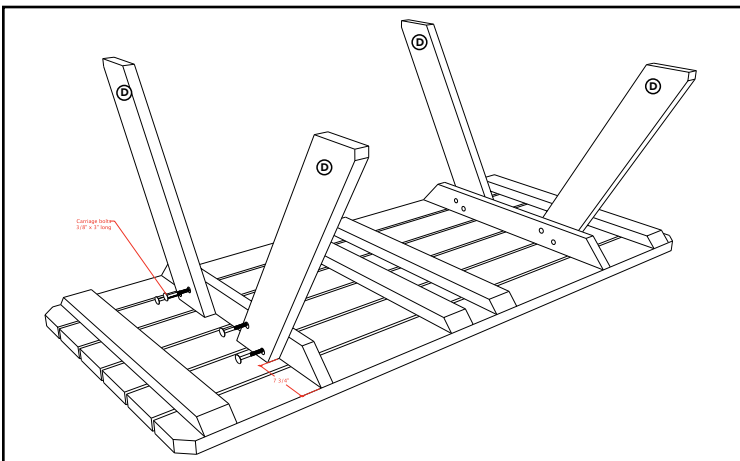
## STEP 2 - Build Tabletop

Working on a clean level surface, clamp four (B) tabletops in between two (A) tabletops. Separate each board with 1/2" spacers. Position two (F) tabletop supports across the boards, drill holes with a combination countersink bit, and attach with screws. Then attach four (C) table cleats to the tabletop.



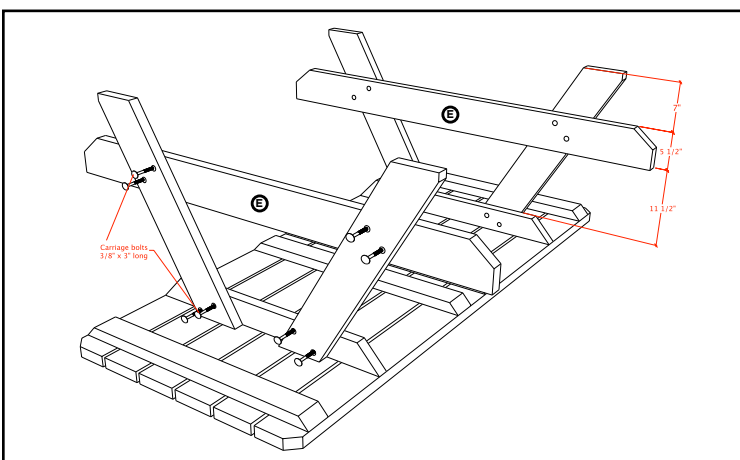
## STEP 3 - Install Legs

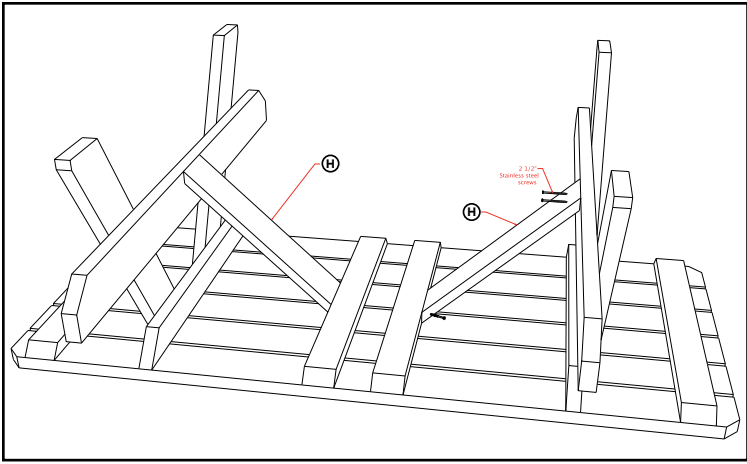
Position and clamp (D) legs to outside of table supports. Countersink and drill holes for two 3" inch carriage bolts, nuts and washers on each leg. Attach and tighten bolts.



## STEP 4 - Add Bench Support

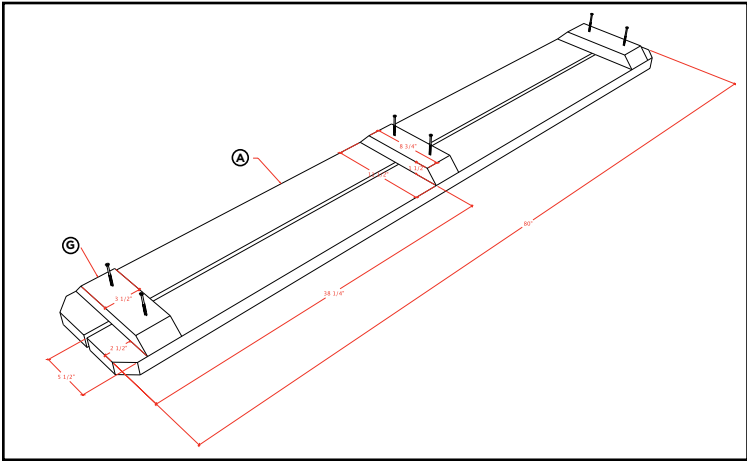
Position and clamp on the (E) bench supports onto the legs. Countersink and drill holes for two 3" inch carriage bolts, nuts and washers on each leg. Attach and tighten bolts.





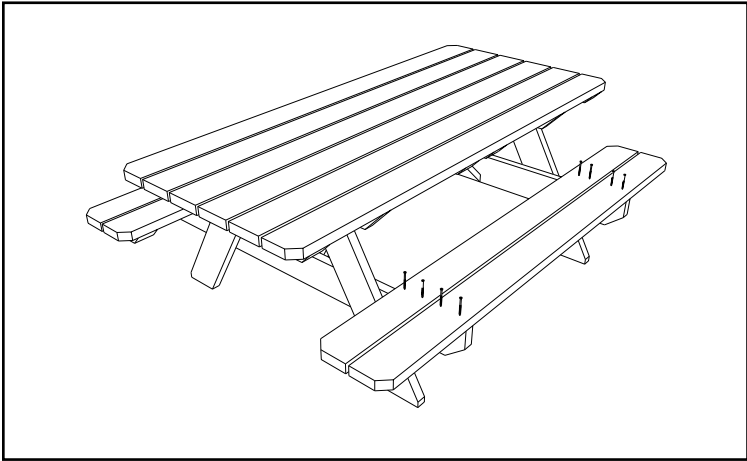
**STEP 5 - Secure Bench Support**

Attach (H) bracing to bench supports with screws.



**STEP 6 - Assemble Seating**

Working on a clean and level surface, clamp two (A) bench boards together separated by 1/2" spacers. Position and screw on (G) bench cleats.



**STEP 7 - Attach Seating to Table**

Position the benches onto the bench supports and attach with screws.

**NOTE:**

Real Cedar is not responsible for any personal injury or property damage sustained in connection to these guidelines.