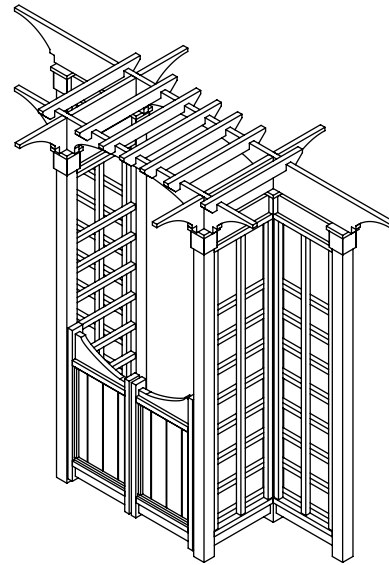


Garden Arbor

MATERIAL LIST

6	4"x4" x 12'	2lb	1 1/4" spiral galvanized finish nails
3	2"x10" x 12'	2lb	3" Deck Screws (rated for red cedar)
1	2"x6" x 8'	2lb	2 1/4" Deck Screws (rated for red cedar)
2	2"x4" x 12'		(or 15 gauge finishing brads or 2 1/2" Spiral Galvanized Finish Nails)
2	2"x6" x 10'		
21	2"x2" x 8'	2	pairs of heavy duty strap hinges.
2	2"x4" x 12'	10	1 1/4" Galvanized Roofing Nails
4	2"x4" x 8'		
4	1"x6" x 5'		<i>*Consider using a 3/8" pilot with a countersink, then filling the screw holes with solid wood cut using a drill press and a tapered plug cutter.</i>
4	1"x6" x 6'		
4	3/4"x3/4" x 8'		<i>*Consider pre-finishing your Red Cedar Prior to assembly.</i>
1	5/4"x6" x 8'		
8	Galvanized Fence Clips		



RECOMMENDED TOOLS

- 4 small off-cuts of 2x2 (spacer blocks)
- Drill and 3/8" spade bit or augur bit
- Screw driver bits and magnetic tip for screw gun
- Carpentry clamps (4) optional
- Framing Square
- Adjustable wrench or socket set
- 3/8" Countersink and Pilot bit and Tapered Plug Cutter (to fill countersinks)
- Random orbital sander with 80 grit sandpaper.
- Jigsaw with heavy duty blades
- Small Drill Press (optional)
- Flush Cut Saw
- Table Saw
- Wheelbarrow, Shovel, Rake, Lever Augur
- An accurate level

Item No.	Description	Material	Cut From	Qty.
1a	Beam - Short	2"x10"	A*	1
2a	Beam - Long	2"x10"	A*	1
3a	2"x4" x 33" Rafters	2"x4"	C*	7
4a	Post Sub Assy	Diagram vi & vii	n/a	6
5a	2"x6" x 19" Post Connection Block	2"x6"	D*	4
6a	2"x10" Beam Tail	2"x10"	B*	4
7a	2"x10" x 22" Beam Block	2"x10"	B*	2
8a	Side Panel Sub Assy	Diagram ii & iv	n/a	4
9a	RHS Gate Sub Assy	Diagram iii	n/a	1
10a	LHS Gate Sub Assy	Diagram iii	n/a	1

Lumber ID	Material	Qty.
*A	2"x10"x 12'	2
*B	2"x10"x 12'	1
*C	2"x4"x 12'	2
*D	2"x6"x 8'	1

INSTRUCTIONS

A. Shop for, gather and organize your materials.

B. Prefabricate from the material list and stack like parts together. It may be prudent to leave parts slightly long and trim to fit once measurements are confirmed.

C. Layout and dig the 42" deep x 10" holes using a lever augur or power augur—or better still, hire someone that specializes in digging post holes. Consider laying out the hole locations on a 3/8" sheet of plywood to assure accurate setting of the posts. Double check the locations after the posts are set and adjust part sizes upward if necessary.

D. Set the outermost posts first, then by attaching a string line offset 1/2", level and align your posts to maintain them in a straight line. You don't have to brace the posts if you pack the soil or fine gravel tightly with your foot.

E. After allowing the posts to set for 24-48 hours, Cut and fit the base rails and Cap Rails. Fasten Base Rails and Cap Rails using the pocket hole jig and 3" #12 Screws. The Base Rails should be 3" off the ground and level to one another.

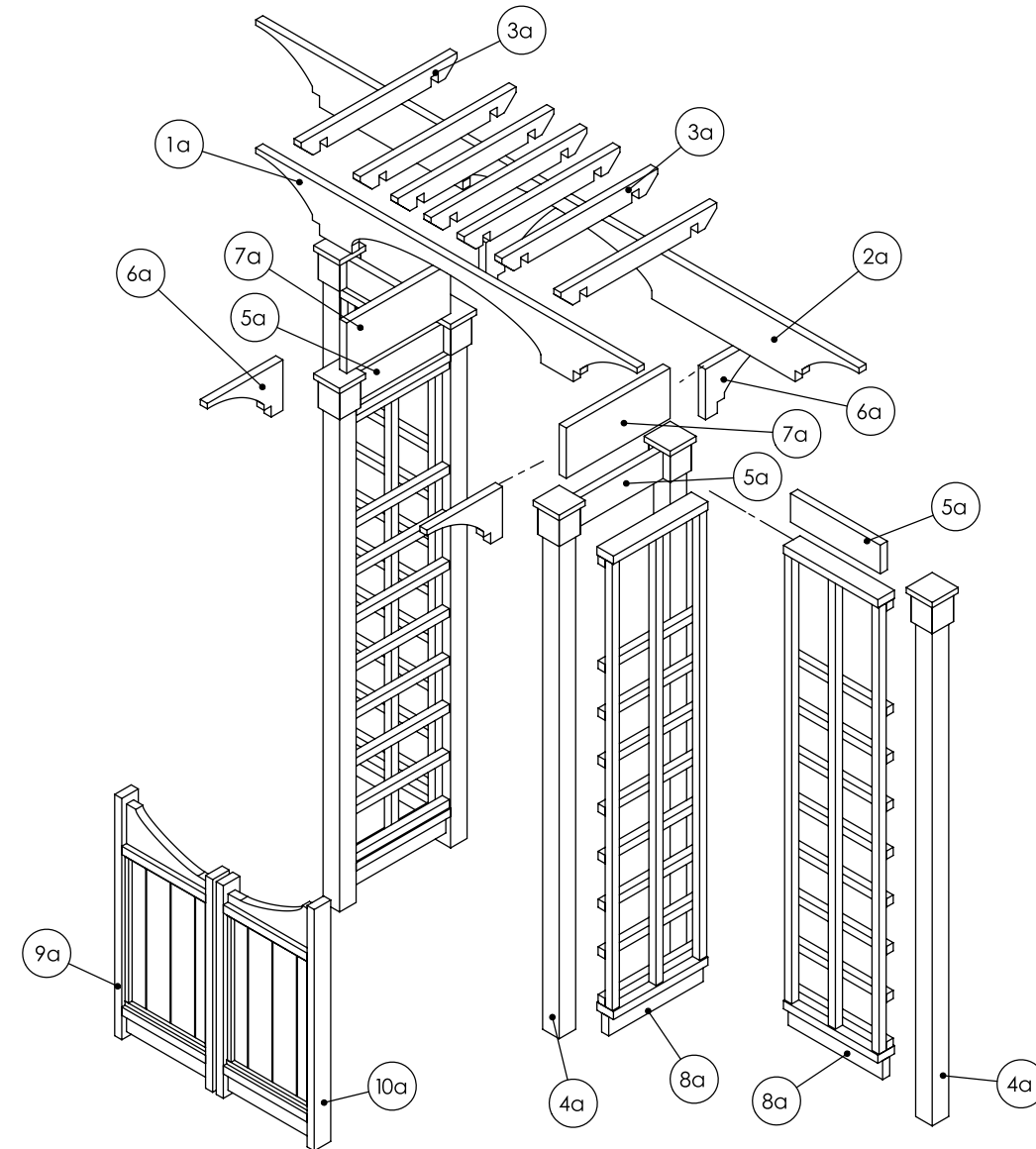
F. Trim the posts to height illustrated. Install the post caps and assemble the Rafters as illustrated and secure to the post caps using 3" deck screws. Everything should be centered. Countersink all screws. Install the rafters with 3" deck screws.

G. Install fence clips with 1 1/4" galvanized roofing nails as illustrated and level to one another. Fit and install the support rails using roofing nails and secure with 1 countersunk 3" Deck screw from the top of the rail.

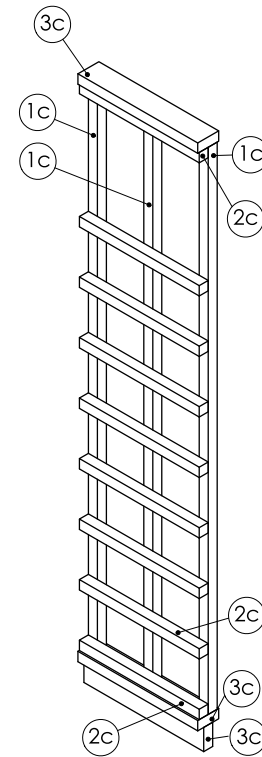
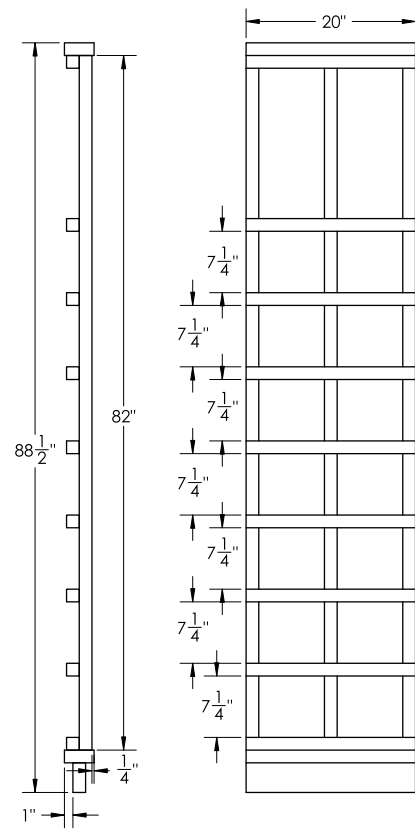
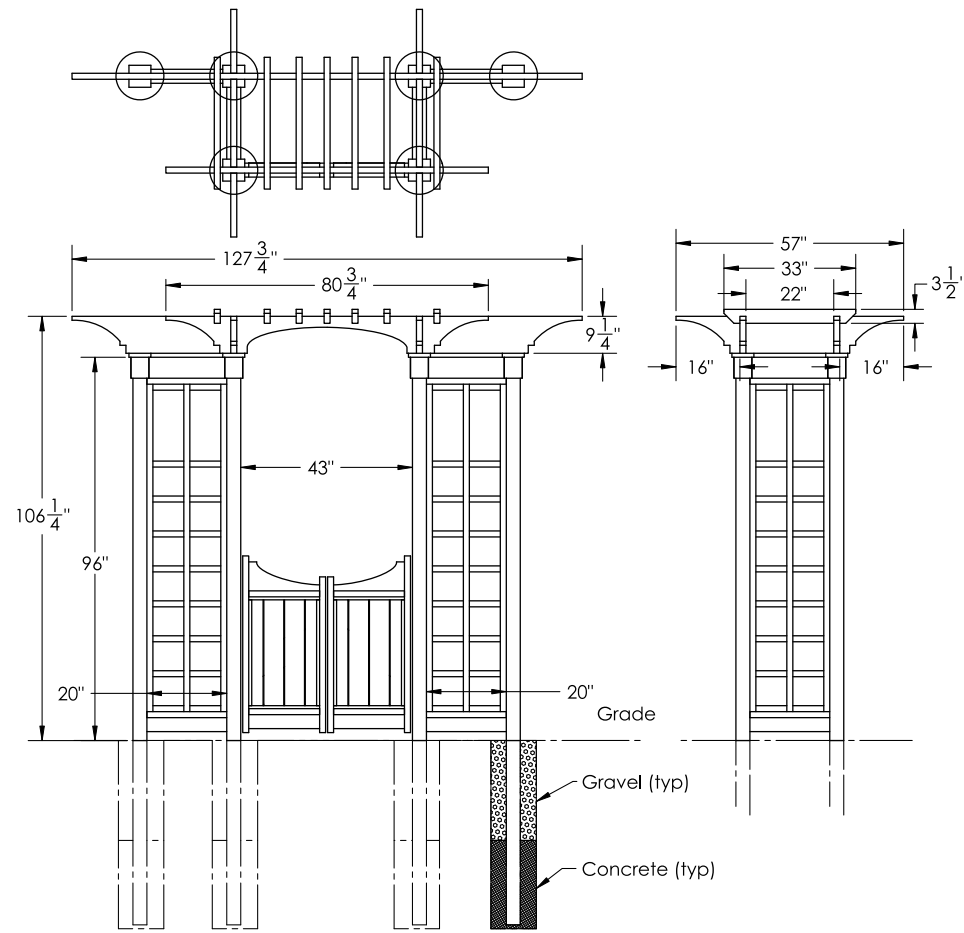
H. Assemble the Side Panel Lattice as illustrated. Cut blocks to help you space the parts quickly and accurately while you fasten the lattice. Verticals are secured to the horizontals using the 2 1/4" deck screws.

I. Assemble the gates as illustrated. The frame and brace screws together with 3" deck screws. The Trim then gets installed flush to the brace inner face—and the boards are then toe-nailed into the frame with finish nails or 2 1/4" deck screws. Hang the gates so that they clear the ground.

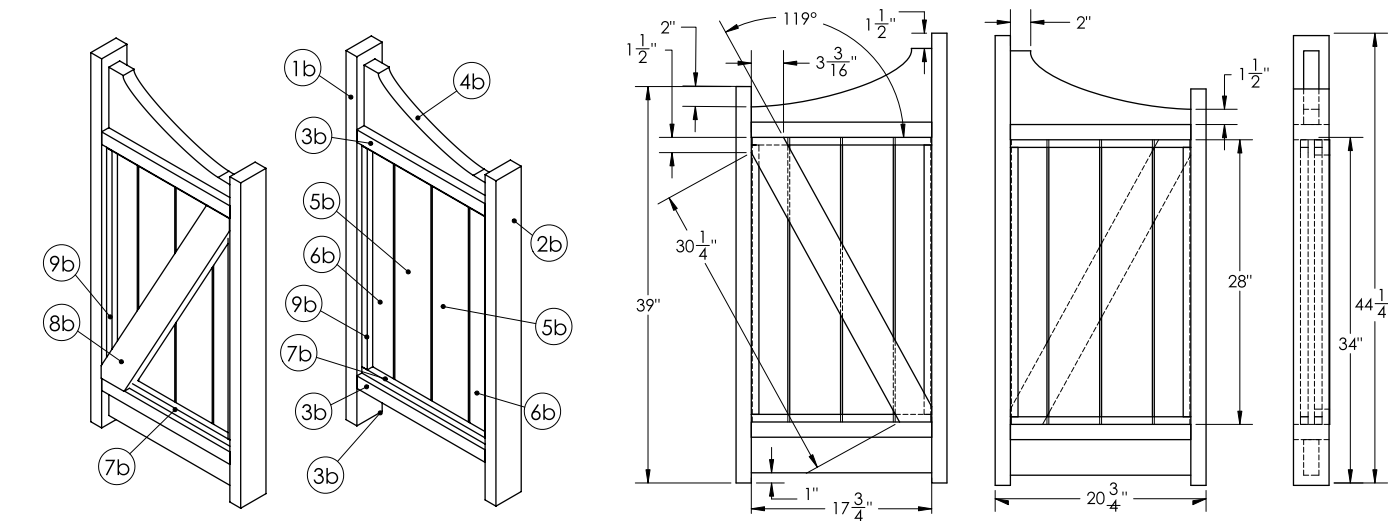
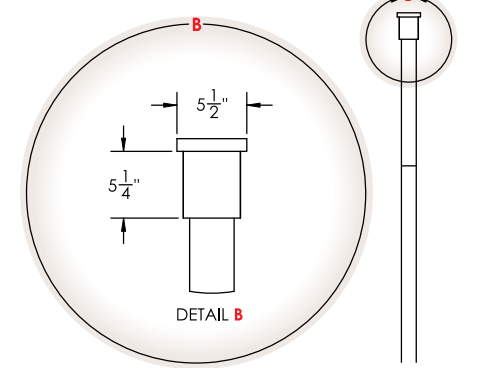
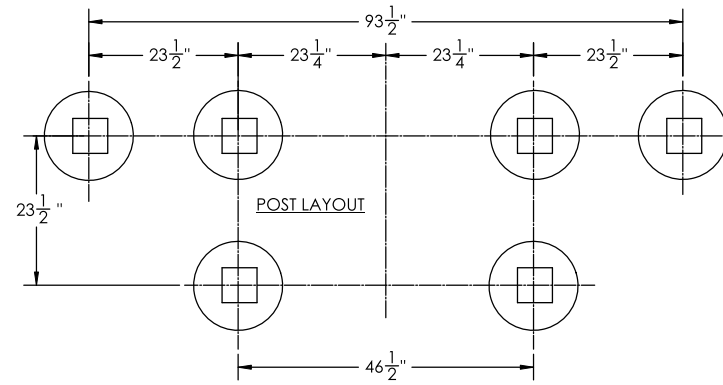
J. Give your project a coat of stain, then fill any voids or holes with exterior putty. Give it a second coat after putty.



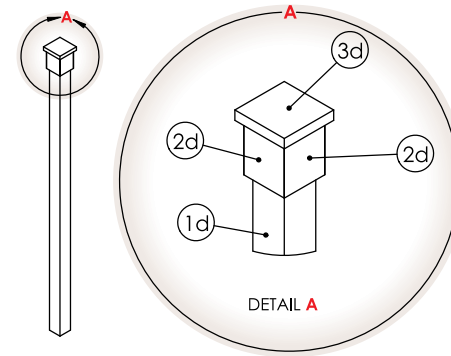
Garden Arbor



Item No.	Description	Material	Cut From	Qty.	Lumber Id	Material	Qty
1c	82" Verticals	2"x2"	D*	3	*D	2"x2" x 8'	21
2c	20" Horizontals	2"x2"	D*	9	*E	2"x4" x 8'	3
3c	Rails	2"x2"	E*	3			

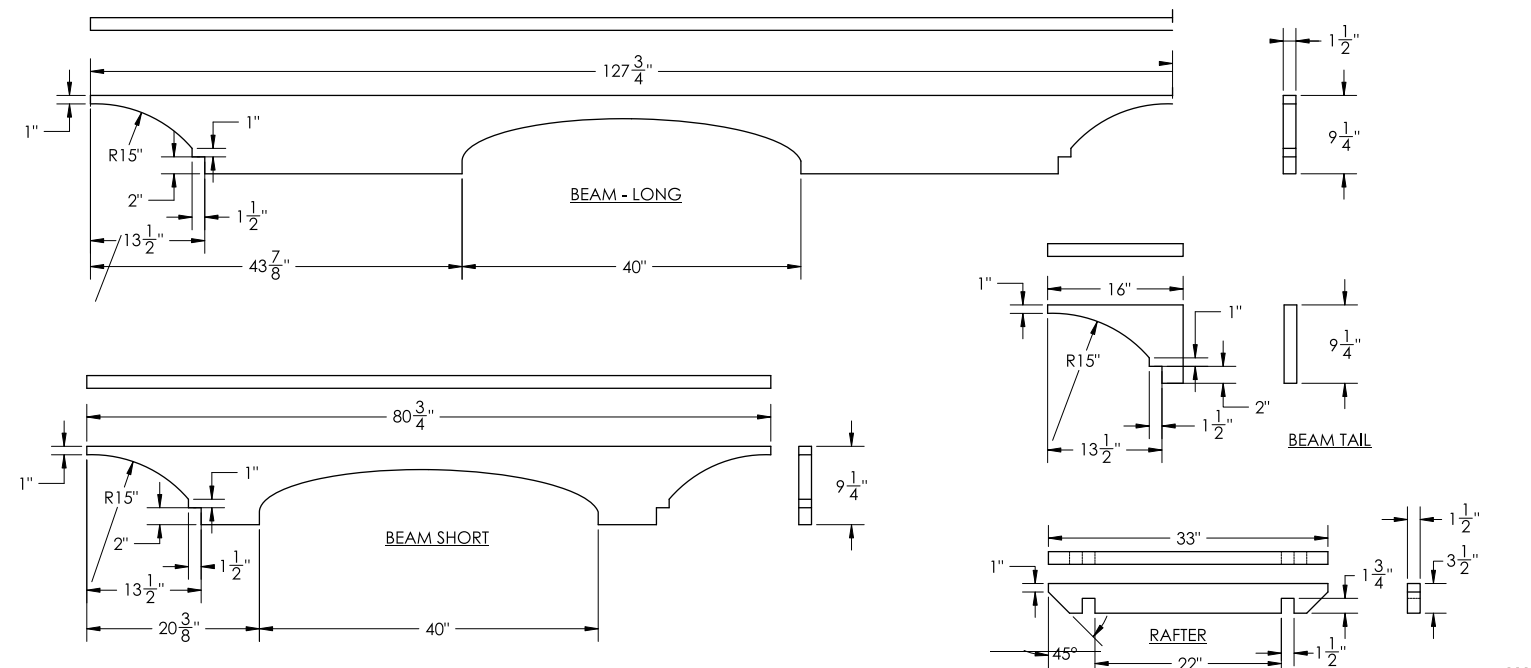


Item No.	Description	Material	Cut From	Qty.	Lumber Id	Material	Qty
1b	Side Rail (Long Side)	2"x4"	F*	1	*F	2"x4" x 12'	2
2b	Side Rail (Short side)	2"x4"	F*	1	*G	1"x6" x 5'	4
3b	Horizontal Rail	2"x4"	F*	3	*H	Lattice Retainer Trim	32'
4b	Curved Block	2"x10" (Offcut)	B*	1	*J	2"x4" x 8'	1
5b	Vertical Fenceboard	5/8"x5" Fenceboard	G*	2			
6b	Vertical Fenceboard Ripped	5/8"x5" Fenceboard	G*	2			
7b	3/4" Horizontal Trim	3/4"x3/4"	H*	4			
8b	2x4 Brace	2"x4"	J*	1			
9b	3/4" Vertical Trim	3/4"x3/4"	H*	4			



Item No.	Description	Material	Cut From	Qty.
1	Post	4"x4"	K*	1
2	Post Trim	1"x6"	L*	4
3	Post Cap	Fence Board (Mitred) 5/4"x6"	M*	1

Lumber Id	Material	Qty
*K	4"x4" x 12'	6
*L	1"x6" x 6'	4
*M	5/4"x6" x 8'	1 (6" Board Trimmed to 5")



iii

iv

vi

vii

viii