

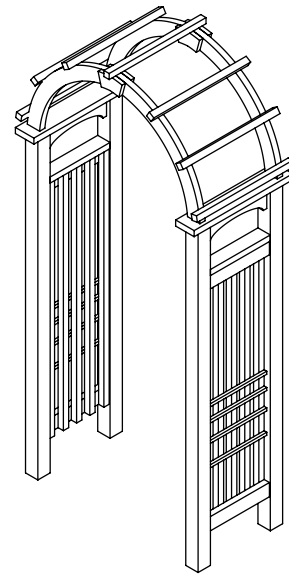
Garden Arch

MATERIAL LIST

- | | | |
|----|--|--|
| 4 | 4"x4" x 12' (for footings mount) or four 4"x4" x 8'+Carport Bracket for concrete mount. | ½ lb 1½" spiral galvanized finish nails |
| 1 | 2"x10" x 12' | 2 lb 3" Deck Screws (rated for red cedar) |
| 13 | 2"x2" x 8' | 1 lb 2¼" Deck Screws (rated for red cedar) |
| 1 | 2"x4" x 10' | |
| 2 | 2"x6" x 8' | |
| 3 | ¾"x¾" x 8' | |
| 1 | Plywood Cover Sheet (ask for the sheet of plywood that covers sheet goods during transport—they are often quite inexpensive—this will be used to place your posts) | |

**Consider using a 3/8" pilot with a countersink, then filling the screw holes with solid wood cut using a drill press and a tapered plug cutter.*

***Consider pre-finishing your Red Cedar Prior to assembly.*



INSTRUCTIONS

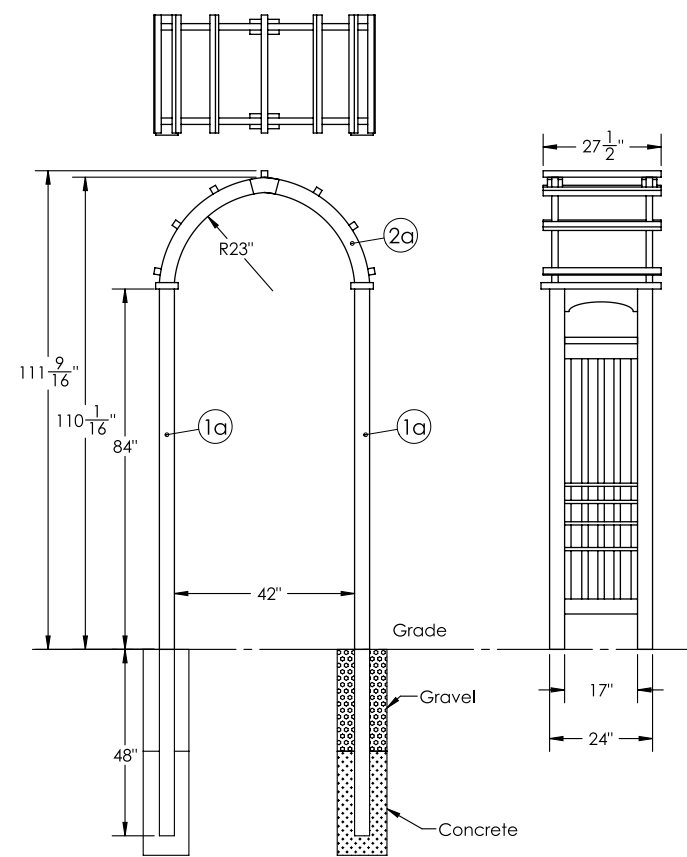
- Shop for, gather and organize your materials.
- Prefabricate from the material list and stack like parts together. It may be prudent to leave parts slightly long and trim to fit once measurements are confirmed.
- Layout and dig the 42" deep x 10" holes using a lever augur or power augur—or better still, hire someone that specializes in digging post holes. Layout the post locations on a ¾" sheet of plywood to assure accurate setting of the posts and cut out the posts and the space around the outer 2 faces of posts. Double check the locations after the posts are set and adjust part sizes upward if necessary.
- Level and align the 4 posts to the plywood post placement pattern while standing on it. Have a helper add the concrete and backfill the dirt or gravel into the holes. Maintain the post level in both directions while your helper works. You don't have to brace the posts if you pack the soil or fine gravel tightly with your foot.
- After allowing the posts to set for 24-48 hours, Cut and fit the Rails. Fasten using a pocket hole jig and 3" Deck Screws. The lower Rails should be 3" off the ground and level to one another.
- Trim the posts to height illustrated. Install the Shaped Rails using 3" Deck screws.
- Fasten the Semi-Circular Rafters together using the Elliptical Key Block. Opposing the grains will add strength. Fasten the 2x2 rafters as illustrated using 2¼" screws.
- Fasten the top plate to the assembled arch, then fasten to the posts and curved rails using the 3" deck screws.

- Trim the 2x2 Verticals to length and Fasten to the rails using 2¼" Deck Screws spaced equally.
 - Fasten the ¾x¾" Lattice Horizontals to the horizontals with 1½" finishing nails.
- Pocket Hole Jig and #12 Pan Head Stainless Wood Screws.

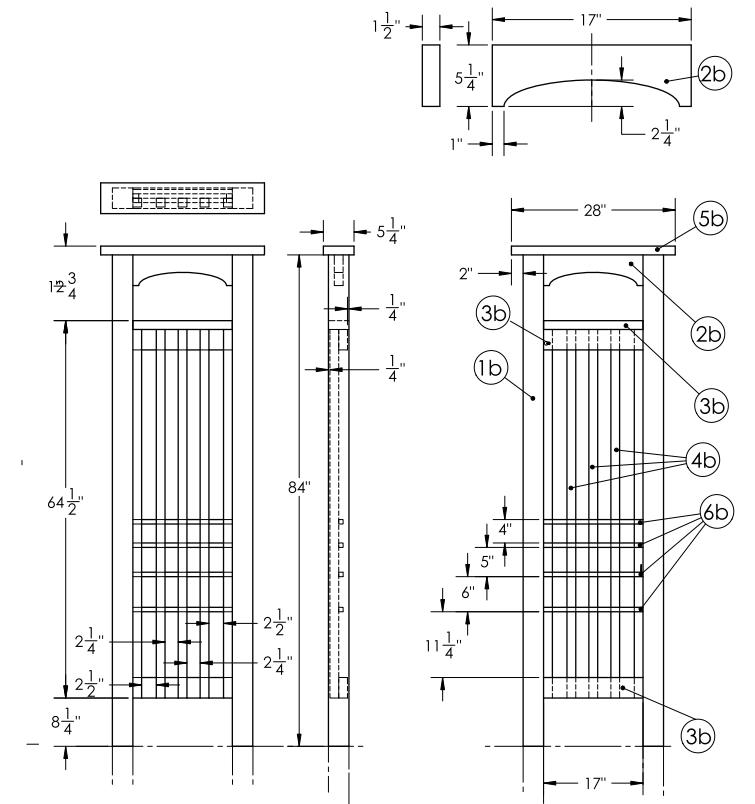
RECOMMENDED TOOLS

- 4 small off-cuts of 2x2 (spacer blocks)
- Drill and 3/8" spade bit or augur bit
- Screw driver bits and magnetic tip for screw gun
- Carpentry clamps (4) optional
- Framing Square
- Adjustable wrench or socket set
- 3/8" Countersink and Pilot bit and Tapered Plug Cutter (to fill countersinks)
- Random orbital sander with 80 grit sandpaper.
- Jigsaw with heavy duty blades
- Small Drill Press (optional)
- Flush Cut Saw
- Table Saw
- Wheelbarrow, Shovel, Rake, Lever Augur
- Pocket Hole Jig and #12 Pan Head Stainless Wood Screws (optional)
- An Accurate Level

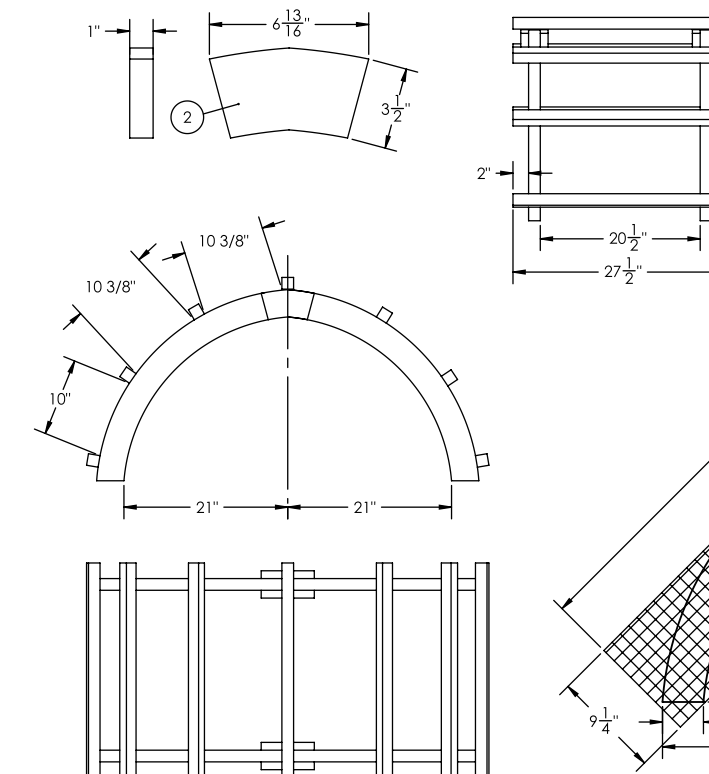
Plan designed by Garden Structure (www.gardenstructure.com). It is an artist's conception and is intended as general reference only. The Western Red Cedar Lumber Association does not warrant the accuracy of the information herein. Always follow local and national building codes.



Item No.	Description	Material	Qty.
1a	Side Panel Assy	Diagram ii	2
2a	Rafter Sub Assy	Diagram iii	1



Item No.	Description	Material	Qty.
1b	Post x 12'	4"x4"	2
2b	Shaped Rail x 17"	2"x6"	1
3b	Horizontal Rails x 17"	2"x4"	3
4b	Verticals x 63"	2"x2"	5
5b	Top Plate x 33"	2"x6"	1
6b	Lattice Horizontals x 17"	¾"x¾"	4



Item No.	Description	Material	Qty.
1c	Semi-Circ Rafter	2"x10"	4
2c	Elliptical Rafter Key Block	5/4"x6"	4
3c	Rafter x 27 1/2"	2"x2"	7

